

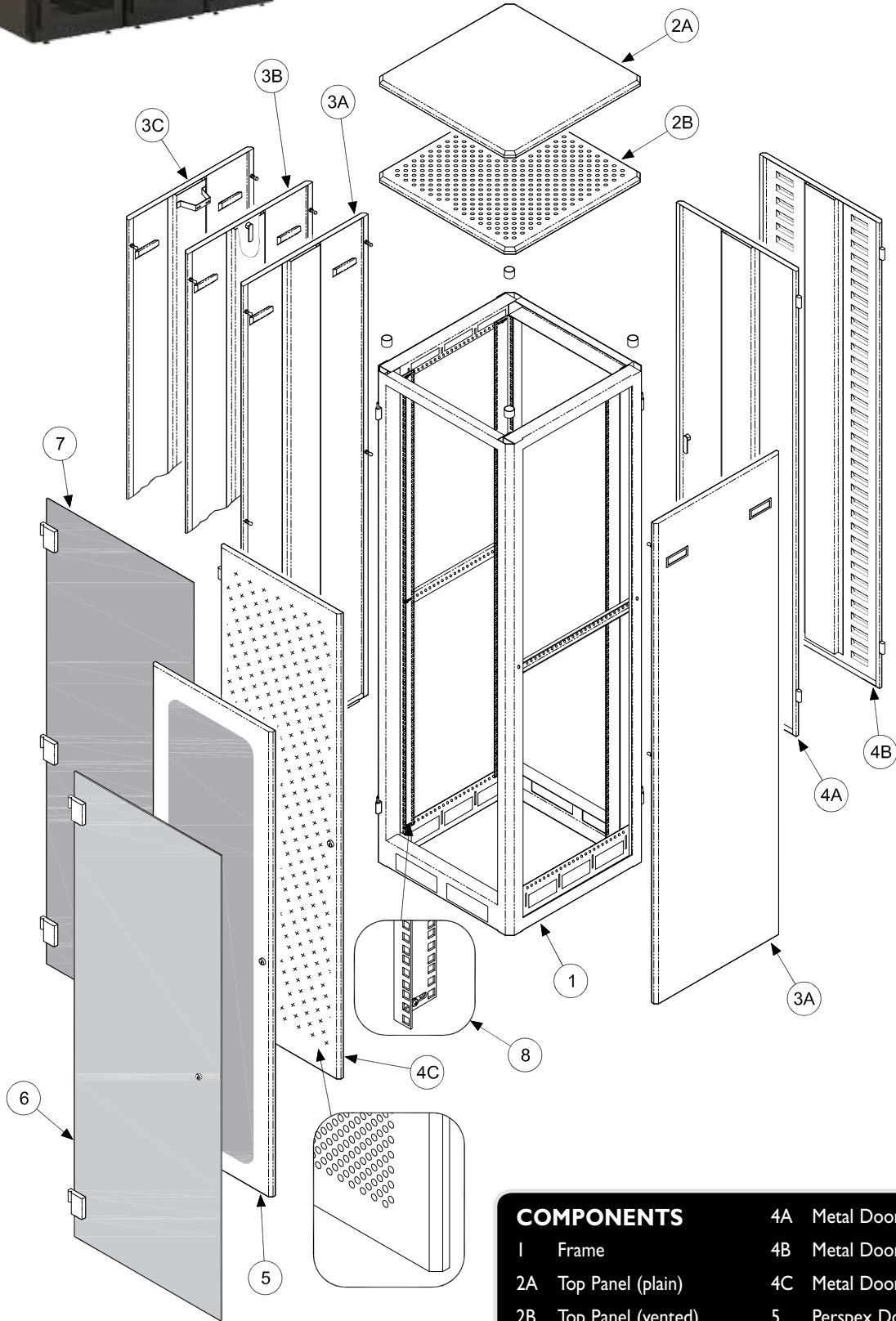
Rack Cabinets
19 inch





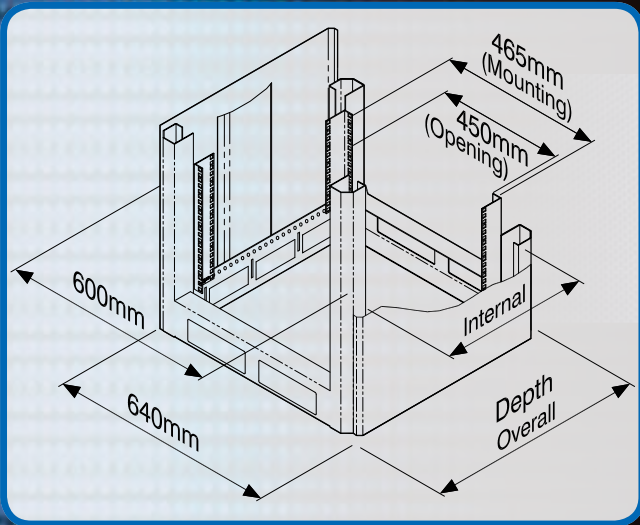
19inch

Rack Cabinets



COMPONENTS

- | | | | |
|----|------------------------|----|----------------------------|
| 1 | Frame | 4A | Metal Door |
| 2A | Top Panel (plain) | 4B | Metal Door (louvre Vented) |
| 2B | Top Panel (vented) | 4C | Metal Door (perforated) |
| 3A | Side Panels | 5 | Perspex Door |
| 3B | Side Panels (lockable) | 6 | Glass Door |
| 3C | Side Panels (secured) | 7 | Perspex Door (frameless) |
| | | 8 | File Server Mounting Rails |

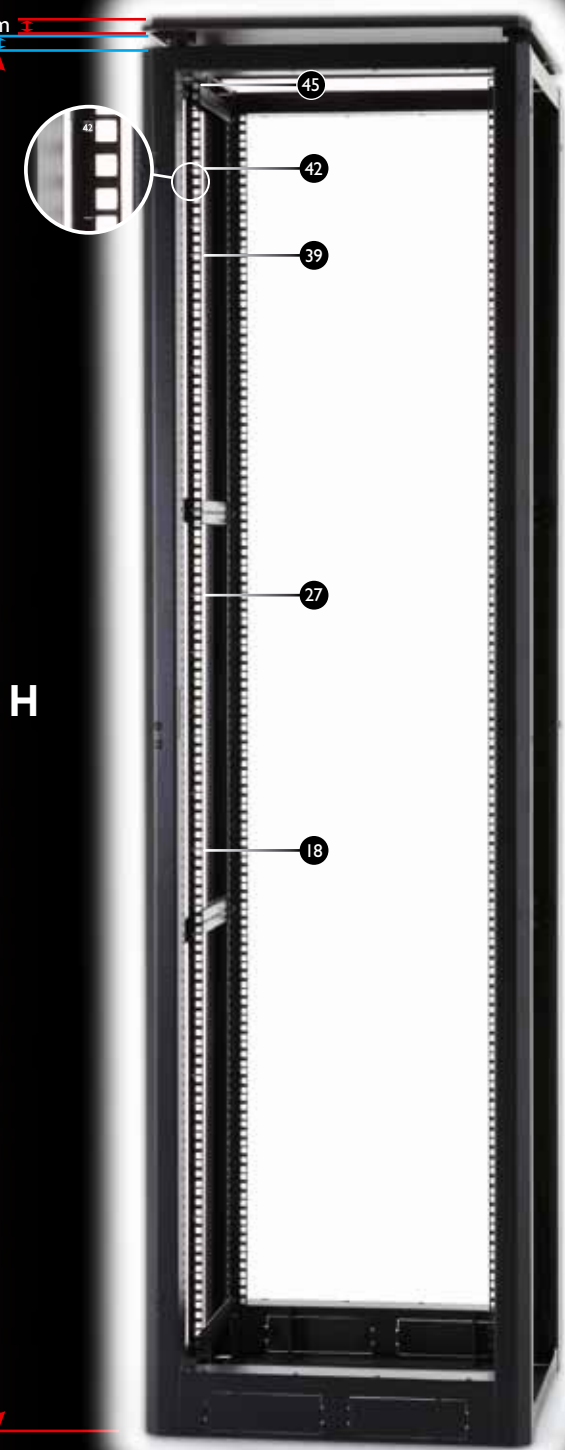


19inch Standard Rack Cabinet, Secure Housing

PART#	RACK UNIT	HEIGHT (H)	DEPTH OVERALL	DEPTH INTERNAL
RC 18 60 60	18	941.34mm	600.0mm	480.0mm
RC 18 80 60	18	941.34mm	800.0mm	680.0mm
RC 18 90 60	18	941.34mm	900.0mm	780.0mm
RC 18 100 60	18	941.34mm	1000.0mm	880.0mm
RC 18 120 60	18	941.34mm	1200.0mm	1080.0mm
RC 27 60 60	27	1342.0mm	600.0mm	480.0mm
RC 27 80 60	27	1342.0mm	800.0mm	680.0mm
RC 27 90 60	27	1342.0mm	900.0mm	780.0mm
RC 27 100 60	27	1342.0mm	1000.0mm	880.0mm
RC 27 120 60	27	1342.0mm	1200.0mm	1080.0mm
RC 39 60 60	39	1875.0mm	600.0mm	480.0mm
RC 39 80 60	39	1875.0mm	800.0mm	680.0mm
RC 39 90 60	39	1875.0mm	900.0mm	780.0mm
RC 39 100 60	39	1875.0mm	1000.0mm	880.0mm
RC 39 120 60	39	1875.0mm	1200.0mm	1080.0mm
RC 42 60 60	42	2009.0mm	600.0mm	480.0mm
RC 42 80 60	42	2009.0mm	800.0mm	680.0mm
RC 42 90 60	42	2009.0mm	900.0mm	780.0mm
RC 42 100 60	42	2009.0mm	1000.0mm	880.0mm
RC 42 120 60	42	2009.0mm	1200.0mm	1080.0mm
RC 45 60 60	45	2142.3mm	600.0mm	480.0mm
RC 45 80 60	45	2142.3mm	800.0mm	680.0mm
RC 45 90 60	45	2142.3mm	900.0mm	780.0mm
RC 45 100 60	45	2142.3mm	1000.0mm	880.0mm
RC 45 120 60	45	2142.3mm	1200.0mm	1080.0mm



20mm
25mm



Hallam cabinets offer secure, accessible and organised housing for valuable data equipment.



Frame

- Fully welded frame
- High static load capacity
- Unique design features
- Integrated power distribution
- Cable entry

Doors

- Solid metal doors
- Perforated vented doors
- Double (split) doors
- Glass
- Perspex
- Locking options

Side panels

- Easy access
- Flush mount option
- Vented option
- Cable entry option
- Lockable
- Internally secured

Top panels

- Raised mount
- Flush mount
- Vented
- Cable entry

19" mounting members

- Factory fitted
- Fully adjustable
- Cage nut ready
- Universal server mounting

Extensive range of optional accessories